

Sialon is an engineered ceramics



1. Reduce Cold Flakes ("Cold Flakes" : solidified aluminum defect pieces (scattered structure) formed in shot sleeve)

Superior heat-retention. ***"It is possible to stop the use of heating equipment "***

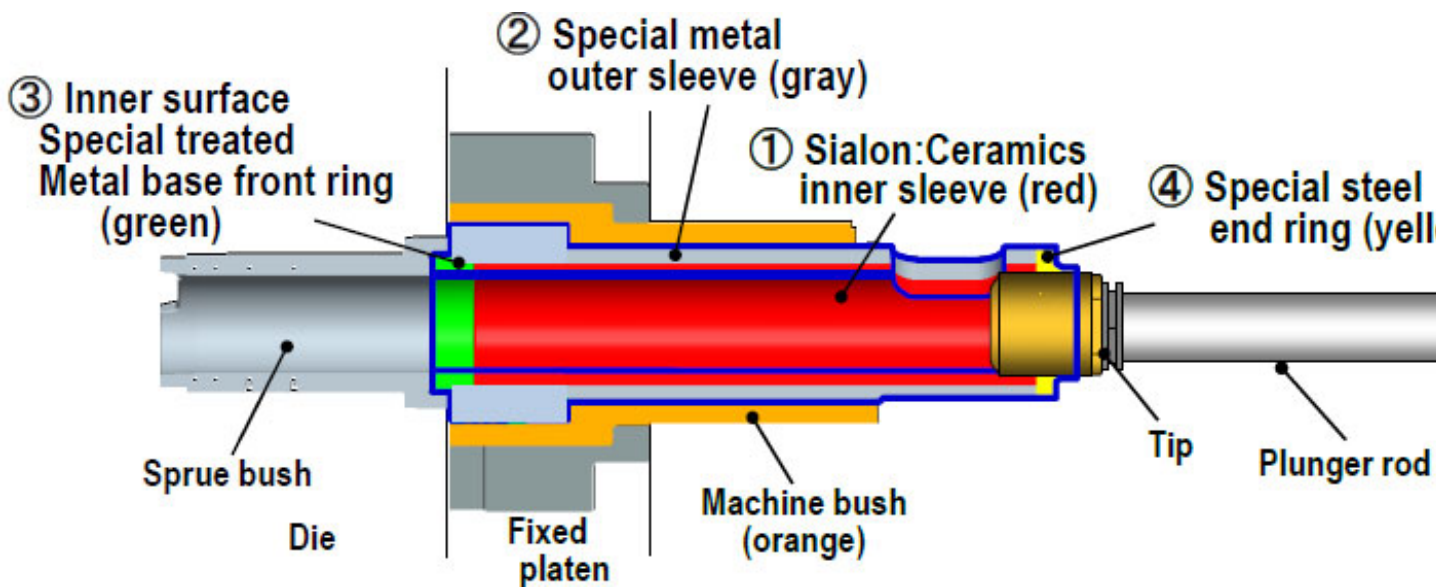
2. Stable shots and longer life (Especially at High temperature ≈ 700 or 1290°F)

Less deformation, High corrosion resistance, Erosion resistance and Wear resistance. "It is possible to eliminate the use of water cooling channel "

3. Energy saving

Sialon's superior heat-retention enables lower molten aluminum casting temperature

Structure :The duplex structure achieves high-performance casting.



Key properties comparison to steel

	Sialon	Steel
Density (g/cm³)	3.2	7.8
Young's Modulus (GPa)	290	210
CTE 20-800°C (10⁻⁶/K)	3	11
Thermal Conductivity (W/m•K)	17	30

The data in our report do not constitute any kind of warranty or guarantee

[Read more](#)

Also, [click here](#) to see Sialon thermocouple protective tubes